

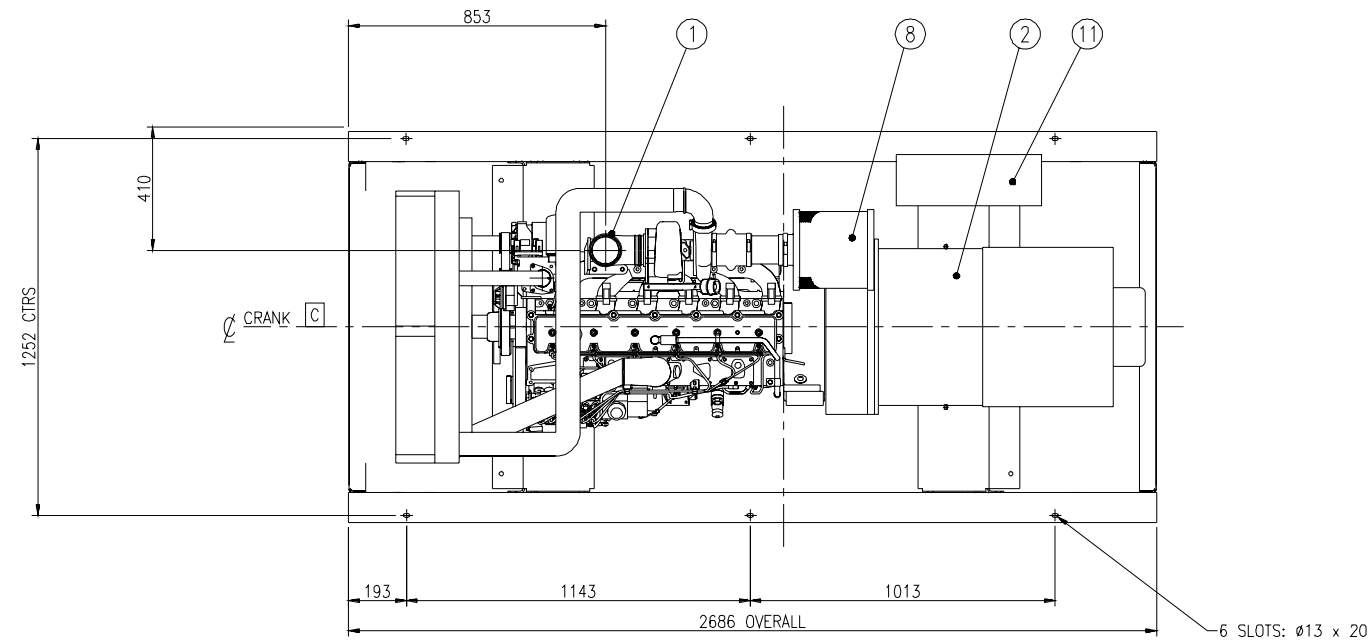
0500-3843 A1

REV. No.	LTR No.	REVISION	ZONE	DRN	CHKD	APPROVED	DATE	
ERK0645	A	1 PRODUCTION RELEASE	-	JM	AA	JONES	04/06/03	
ERK0662	B	1 STATEMENT ADDED TO DRAWING	-	JM	AA	BARGENT	21/01/04	
ERK09371	C	1 TABULATION ADDED TO DRAWING	-	A1S	JM	AA	BARGENT	21/05/04
ERK11161	D	1 FIXING DIMENSION ADDED	-	13C	JM	JB	BARGENT	07/05/05
	D	2 FIXING DIMENSIONS ADDED	-	BC	JM	AA	BARGENT	07/05/05
ERK12373	E	1 ADD SHEET 2	-	MC	SB	KINGHT	24/01/06	
ERK12907	F	1 DRAWING UPDATED PICTORALLY	-	90	NAD	DW	CONNOLLY	24/05/06
	2	SEE SHEET 2	-	---	NAD	DW	CONNOLLY	24/05/06

THIS MACHINE CAN ONLY BE SAFELY LIFTED USING THE FORK-LIFT POCKETS PROVIDED

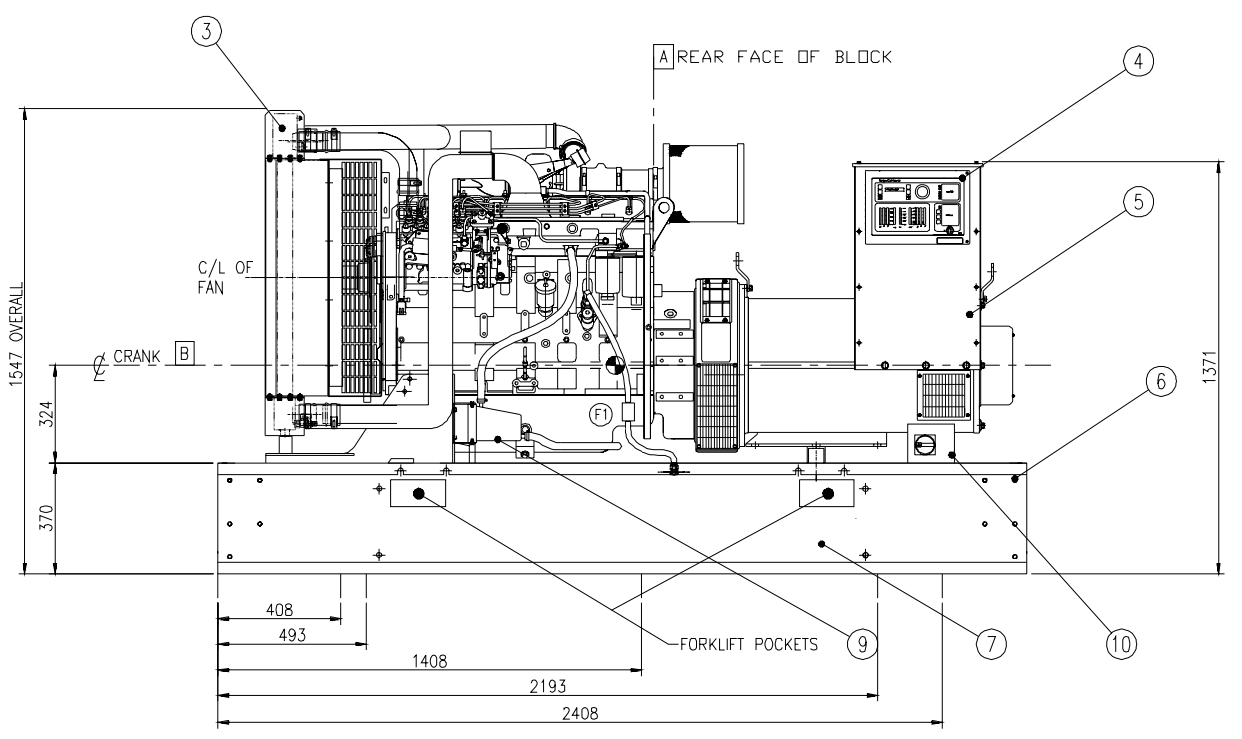
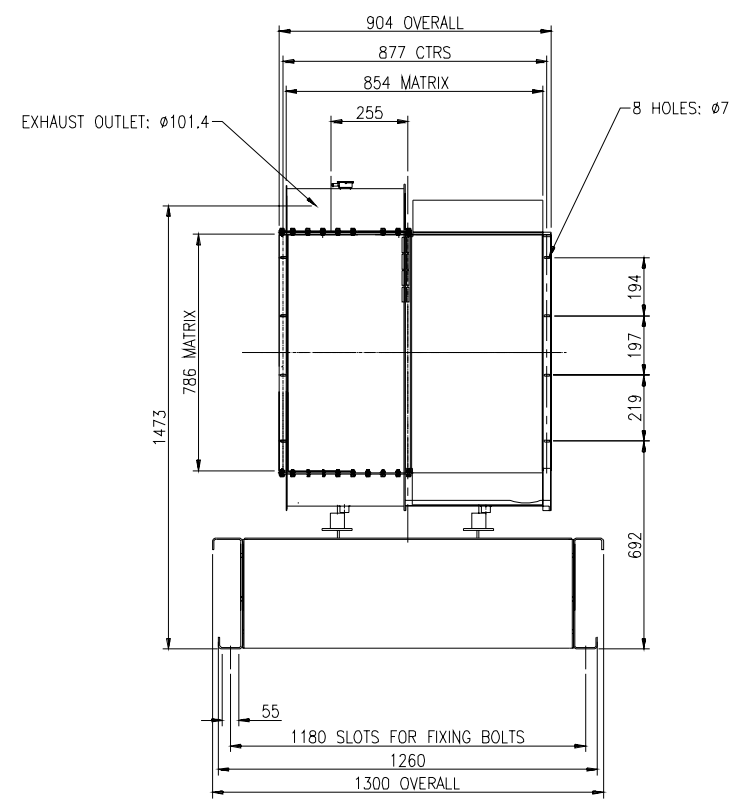
RADIATOR DATA
 FREE AIR FLOW: TBD
 MAX. DUCT ALLOWANCE: 3/4"
 AIR FLOW AT MAX DUCT: 5.43 m³/s

EXHAUST DATA:
 GAS FLOW: 0.655 m³/s
 MAX. BACK PRESSURE: 10 kPa



NOTES:

- GENSET MUST ONLY BE LIFTED BY FORKLIFT USING POCKETS PROVIDED.
- TERMS AND CONDITIONS CAN BE FOUND AT THE FOLLOWING :- www.cumminspower.com/terms



TABULATION - WEIGHTS			
DRY (kg)	WET (kg)	WET (kg) WITH FUEL	MODEL
1840	1900	2198	C200 D5
1840	1900	2198	C220 D5
1940	2000	2298	C250 D5
1840	1900	2198	C180 D6
1840	1900	2198	C200 D6
1940	2000	2298	C225 D6

SLOTS FOR FIXING BOLTS (Ø 22 x 32)
 GENSET WITH NORMAL DUTY AIRCLEANERS

QTY	ITEM	PART No.	DESCRIPTION OR MATERIAL
1	11	REF	- BATTERY - 12V DC
1	10	REF	- COOLANT HEATER TERMINAL CONTROL BOX
1	9	REF	- COOLANT HEATER
1	8	REF	- AIR CLEANER
1	7	REF	- TANK - FUEL (350L)
1	6	REF	- SKID ASSY
1	5	REF	- CONTROL HOUSING
1	4	REF	- CONTROLLER
1	3	REF	- RADIATOR
1	2	REF	- ALTERNATOR - NEWAGE UC2274J
1	1	REF	- ENGINE - CUMMINS 6CTA8.3 G2

TOLERANCE UNLESS OTHERWISE SPECIFIED	SHALL TO	DATE	<p>Cummins Power Generation Columbus Avenue, Manston, Ramsgate Kent, CT12 5BF, England, UK</p>
0.00-4.99 = ±0.15/-0.08 5.00-9.99 = ±0.20/-0.10 10.00-17.99 = ±0.25/-0.13 18.00-24.99 = ±0.30/-0.15	DRAWN J MATHEWS CHECKED A ANDREWS APPROVED J JONES	04/06/03 04/07/03 04/07/03	
AUTOCAD DO NOT SCALE PRINT ANGLE TOL. ±1.0° SCALE: 1:10	THIRD ANGLE PROJECTION	THE DOCUMENT IS THE PROPERTY OF CUMMINS POWER GEN. IT IS LOANED TO YOU FOR YOUR COMPANY'S USE ONLY. IT IS NOT TO BE REPRODUCED, COPIED, OR TRANSMITTED IN ANY FORM OR BY ANY MEANS, ELECTRONIC OR MECHANICAL, INCLUDING PHOTOCOPYING, RECORDING, OR BY ANY INFORMATION STORAGE AND RETRIEVAL SYSTEM, WITHOUT THE WRITTEN PERMISSION OF CUMMINS POWER GEN. LTD OR ITS REPRESENTATIVE.	SITE CODE PGK SHEET 12 OF 2 DATE 0500-3843 12/02/03